



Serrature da infilare a cilindro | Scatola Chiusa

Mortice locks for profile cylinder | Closed Lock Case



3200

3200/85-3205/85

Catenaccio Antistrappo e Scrocco
1-2 Mandate
Azionamento a cilindro

FINITURA DI SERIE

- Piastra frontale, Catenaccio, Scrocco OLV

DOTAZIONE

- Contropiastra con aletta Art. 357 OLV
- Vaschetta coprifresata scrocco e catenaccio Art. C371
- Viti di fissaggio
- **CILINDRO ESCLUSO**

Tamper proof bolt and latch
1-2 Turns
Cylinder movement

STANDARD FINISHINGS

- Front plate, Bolt, Latch OLV

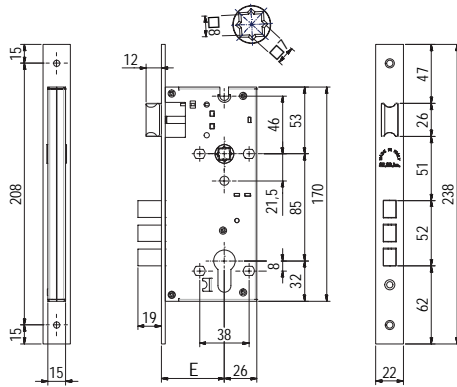
ACCESSORIES

- Striking plate with tab Art. 357 OLV
- Plastic bolt and latch milling cover Art. C371
- Fixing screws
- **CYLINDER NOT INCLUDED**

Serie **3200**



Serrature da infilare a cilindro | Scatola Chiusa
 Morrice locks for profile cylinder | Closed lock case



3200/85
3205/85

Catenaccio Antistrappo e Scrocco | 1-2 Mandate | Azionamento a cilindro
Tamper proof bolt and latch | 1-2 Turns | Cylinder movement

| Codice Code | Finitura Finishing | | | | | | |
|-------------------|-----------------------|---|----------|----|--|--|----|
| 03200 85 45 ___ 7 | --- | | | | | | 45 |
| 03200 85 50 ___ 7 | --- | | | | | | 50 |
| 03200 85 60 ___ 7 | --- | 2 | | | | | 60 |
| 03200 85 70 ___ 7 | --- | | | | | | 70 |
| 03200 85 80 ___ 7 | --- | | 22x3x238 | 85 | | | 80 |
| 03205 85 45 ___ 7 | --- | | | | | | 45 |
| 03205 85 50 ___ 7 | --- | | | | | | 50 |
| 03205 85 60 ___ 7 | --- | 1 | | | | | 60 |
| 03205 85 70 ___ 7 | --- | | | | | | 70 |
| 03205 85 80 ___ 7 | --- | | | | | | 80 |

Finiture Standard | Standard Finishings

Finiture Speciali | Special Finishings

| Finitura Finishing | OLV | OS | OCL OCS ONS | OB OGR OGM | PLO | AB SFE | OBL OBS | PVD | XSO INOX |
|-----------------------|-----|----|-------------------|------------------|-----|-----------|------------|-----|-------------|
| --- | | | | | | | | | |

T3200/85-T3205/85

Catenaccio Antistrappo e Scrocco
1-2 Mandate
Azionamento a cilindro
Bordo Tondo

Tamper proof bolt and latch
1-2 Turns
Cylinder movement
Round Edge

FINITURA DI SERIE

- Piastra frontale, Catenaccio, Scrocco OLV

STANDARD FINISHINGS

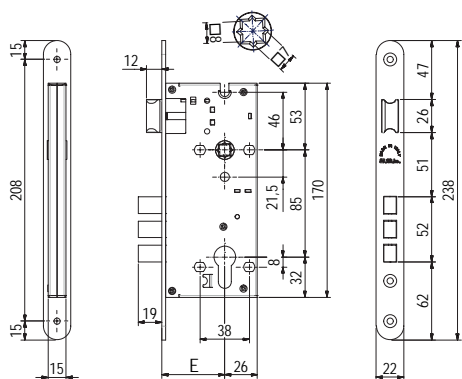
- Front plate, Bolt, Latch OLV

DOTAZIONE

- Contropiastra con aletta Art. 357T OLV
- Vaschetta coprifresata scrocco e catenaccio Art. C371
- Viti di fissaggio
- CILINDRO ESCLUSO

ACCESSORIES

- Striking plate with tab Art. 357T OLV
- Plastic bolt and latch milling cover Art. C371
- Fixing screws
- CYLINDER NOT INCLUDED



T3200/85
T3205/85

Catenaccio Antistrappo e Scrocco | 1-2 Mandate | Azionamento a cilindro | Bordo Tondo
Tamper proof bolt and latch | 1-2 Turns | Cylinder movement | Round Edge

| Codice Code | Finitura Finishing | | | | | | |
|-------------------|-----------------------|---|----------|----|--|---|----|
| T3200 85 45 ___ 7 | --- | | | | | | 45 |
| T3200 85 50 ___ 7 | --- | | | | | | 50 |
| T3200 85 60 ___ 7 | --- | 2 | | | | | 60 |
| T3200 85 70 ___ 7 | --- | | | | | | 70 |
| T3200 85 80 ___ 7 | --- | | 22x3x238 | 85 | | 1 | 80 |
| T3205 85 45 ___ 7 | --- | | | | | | 45 |
| T3205 85 50 ___ 7 | --- | | | | | | 50 |
| T3205 85 60 ___ 7 | --- | 1 | | | | | 60 |
| T3205 85 70 ___ 7 | --- | | | | | | 70 |
| T3205 85 80 ___ 7 | --- | | | | | | 80 |

| Finitura Finishing | Finiture Standard Standard Finishings | | | | Finiture Speciali Special Finishings | | | | |
|-----------------------|-----------------------------------------|----|-------------------|------------------|----------------------------------------|-----------|------------|-----|-------------|
| | OLV | OS | OCL OCS ONS | OB OGR OGM | PLO | AB SFE | OBL OBS | PVD | XSO INOX |
| --- | | | | | | | | | |

Serie
3200



Serrature da infilare a cilindro | Scatola Chiusa
Mortice locks for profile cylinder | Closed lock case

3210/85-3215/85

Catenaccio e Scrocco
1-2 Mandate
Azionamento a cilindro

FINITURA DI SERIE

- Piastra frontale, Catenaccio, Scrocco OLV

DOTAZIONE

- Contropiastra con aletta Art. 357 OLV
- Vaschetta coprifresata scrocco e catenaccio Art. C371
- Viti di fissaggio
- CILINDRO ESCLUSO

Bolt and Latch
1-2 Turns
Cylinder movement

STANDARD FINISHINGS

- Front plate, Bolt, Latch OLV

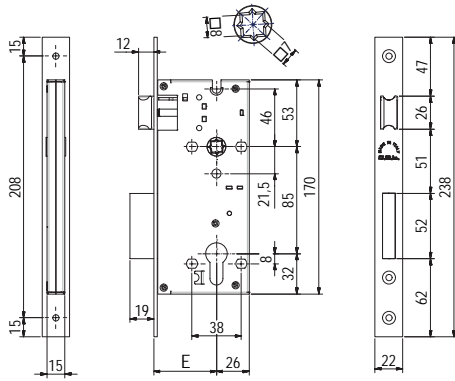
ACCESSORIES

- Striking plate with tab Art. 357 OLV
- Plastic bolt and latch milling cover Art. C371
- Fixing screws
- CYLINDER NOT INCLUDED

Serie **3200**



Serrature da infilare a cilindro | Scatola Chiusa
Morice locks for profile cylinder | Closed lock case



3210/85
3215/85

Catenaccio e Scrocco | 1-2 Mandate | Azionamento a cilindro
Bolt and Latch | 1-2 Turns | Cylinder movement

| Codice Code | Finitura Finishing | | | | | | |
|-------------------|-----------------------|---|----------|----|--|----|----|
| 03210 85 40 ___ 7 | | | | | | 40 | |
| 03210 85 45 ___ 7 | | | | | | 45 | |
| 03210 85 50 ___ 7 | | | | | | 50 | |
| 03210 85 60 ___ 7 | | | | | | 60 | |
| 03210 85 70 ___ 7 | | | | | | 70 | |
| 03210 85 80 ___ 7 | | | | | | 80 | |
| 03215 85 40 ___ 7 | | 2 | 22x3x238 | 85 | | 40 | 1 |
| 03215 85 45 ___ 7 | | | | | | 45 | |
| 03215 85 50 ___ 7 | | | | | | 50 | |
| 03215 85 60 ___ 7 | | | | | | 60 | |
| 03215 85 70 ___ 7 | | 1 | | | | 70 | |
| 03215 85 80 ___ 7 | | | | | | 80 | 20 |

Finiture Standard | Standard Finishings

Finiture Speciali | Special Finishings

| Finitura Finishing | OLV | OS | OCL OCS ONS | OB OGR OGM | PLO | AB SFE | OBL OBS | PVD | XSO INOX |
|-----------------------|-----|----|-------------------|------------------|-----|-----------|------------|-----|-------------|
| --- | | | | | | | | | |

T3210/85-T3215/85

Catenaccio e Scrocco
1-2 Mandate
Azionamento a cilindro
Bordo Tondo

FINITURA DI SERIE

- Piastra frontale, Catenaccio, Scrocco OLV

DOTAZIONE

- Contropiastra con aletta Art. 357T OLV
- Vaschetta coprifresata scrocco e catenaccio Art. C371
- Viti di fissaggio
- CILINDRO ESCLUSO

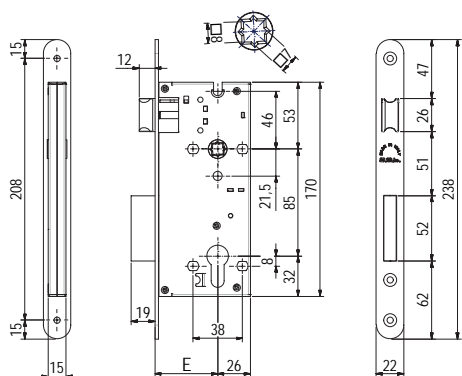
Bolt and Latch
1-2 Turns
Cylinder movement
Round Edge

STANDARD FINISHINGS

- Front plate, Bolt, Latch OLV

ACCESSORIES

- Striking plate with tab Art. 357T OLV
- Plastic bolt and latch milling cover Art. C371
- Fixing screws
- CYLINDER NOT INCLUDED



T3210/85
T3215/85

Catenaccio e Scrocco | 1-2 Mandate | Azionamento a cilindro | Bordo Tondo
Bolt and Latch | 1-2 Turns | Cylinder movement | Round Edge

| Codice Code | Finitura Finishing | | | | | | |
|-------------------|-----------------------|---|----------|----|--|---|----|
| T3210 85 40 ___ 7 | --- | | | | | | 40 |
| T3210 85 45 ___ 7 | --- | | | | | | 45 |
| T3210 85 50 ___ 7 | --- | | | | | | 50 |
| T3210 85 60 ___ 7 | --- | 2 | | | | | 60 |
| T3210 85 70 ___ 7 | --- | | | | | | 70 |
| T3210 85 80 ___ 7 | --- | | 22x3x238 | 85 | | 1 | 80 |
| T3215 85 40 ___ 7 | --- | | | | | | 40 |
| T3215 85 45 ___ 7 | --- | | | | | | 45 |
| T3215 85 50 ___ 7 | --- | | | | | | 50 |
| T3215 85 60 ___ 7 | --- | 1 | | | | | 60 |
| T3215 85 70 ___ 7 | --- | | | | | | 70 |
| T3215 85 80 ___ 7 | --- | | | | | | 80 |

| Finitura Finishing | Finiture Standard Standard Finishings | | | | Finiture Speciali Special Finishings | | | | |
|-----------------------|-----------------------------------------|----|-------------------|------------------|----------------------------------------|-----------|------------|-----|-------------|
| | OLV | OS | OCL OCS ONS | OB OGR OGM | PLO | AB SFE | OBL OBS | PVD | XSO INOX |
| --- | | | | | | | | | |

Serie
3200



Serrature da infilare a cilindro | Scatola Chiusa
Mortice locks for profile cylinder | Closed lock case

3216/85

Serratura per bagno
 Doppio quadro 8mm
 Catenaccio e Scrocco
 1 Mandata
 Azionamento quadro 8mm

FINITURA DI SERIE

- Piastra frontale, Catenaccio, Scrocco OLV

DOTAZIONE

- Contropiastra con aletta Art. 357 OLV
- Vaschetta coprifresata scrocco e catenaccio Art. C371
- Viti di fissaggio

Bathroom lock
 Double square hole 8mm
 Bolt and Latch
 1 Turn
 Square hole movement

STANDARD FINISHINGS

- Front plate, Bolt, Latch OLV

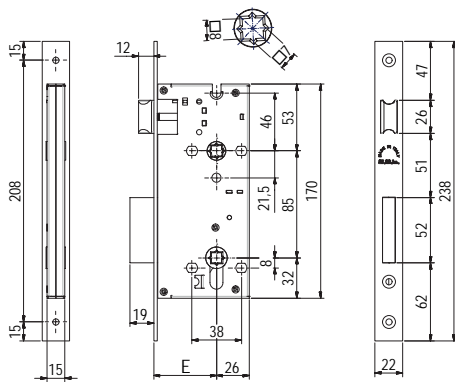
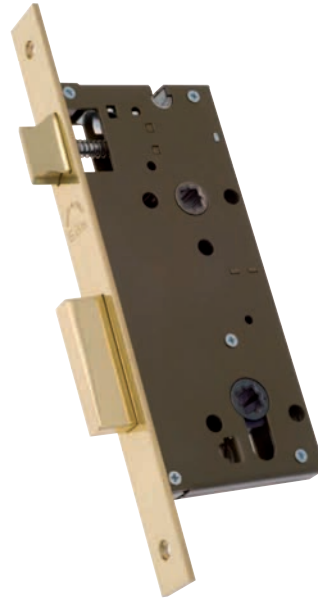
ACCESSORIES

- Striking plate with tab Art. 357 OLV
- Plastic bolt and latch milling cover Art. C371
- Fixing screws

Serie 3200



Serrature da infilare a cilindro | Scatola Chiusa
 Mortice locks for profile cylinder | Closed lock case



3216/85

Serratura per bagno | Doppio quadro 8mm | Catenaccio e Scrocco | 1 Mandata | Azionamento quadro 8mm

Bathroom lock | Double square hole 8mm | Bolt and Latch | 1 Turn | Square hole movement

| Codice Code | Finitura Finishing | | | | | |
|-------------------|-----------------------|---|----------|----|----|------|
| 03216 85 40 ___ 7 | --- | | | | 40 | |
| 03216 85 45 ___ 7 | --- | | | | 45 | |
| 03216 85 50 ___ 7 | --- | | | | 50 | |
| 03216 85 60 ___ 7 | --- | 1 | 22x3x238 | 85 | 60 | 1 20 |
| 03216 85 70 ___ 7 | --- | | | | 70 | |
| 03216 85 80 ___ 7 | --- | | | | 80 | |

Finiture Standard | Standard Finishings

Finiture Speciali | Special Finishings

| Finitura Finishing | OLV | OS | OCL OCS ONS | OB OGR OGM | PLO | AB SFE | OBL OBS | PVD | XSO INOX |
|-----------------------|-----|----|-------------------|------------------|-----|-----------|------------|-----|-------------|
| --- | | | | | | | | | |

T3216/85

Serratura per bagno
Doppio quadro 8mm
Catenaccio e Scrocco
1 Mandata
Azionamento quadro 8mm | Bordo Tondo

FINITURA DI SERIE

- Piastra frontale, Catenaccio, Scrocco OLV

DOTAZIONE

- Contropiastra con aletta Art. 357T OLV
- Vaschetta coprifresata scrocco e catenaccio Art. C371
- Viti di fissaggio

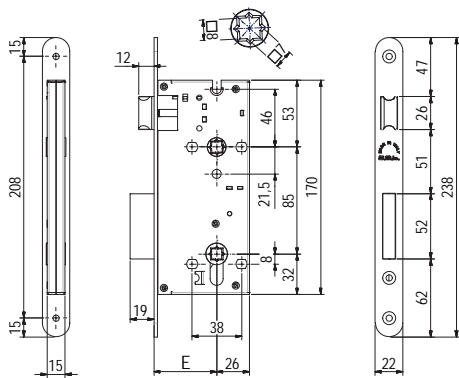
Bathroom lock
Double square hole 8mm
Bolt and Latch
1 Turn
Square hole movement | Round Edge

STANDARD FINISHINGS

- Front plate, Bolt, Latch OLV

ACCESSORIES

- Striking plate with tab Art. 357T OLV
- Plastic bolt and latch milling cover Art. C371
- Fixing screws



T3216/85

Serratura per bagno | Doppio quadro 8mm | Catenaccio e Scrocco | 1 Mandata | Azionamento quadro 8mm | Bordo Tondo

Bathroom lock | Double square hole 8mm | Bolt and Latch | 1 Turn | Square hole movement | Round Edge

| Codice Code | Finitura Finishing | | | | | | |
|-------------|--------------------|---|----------|----|--|---|----|
| T3216 85 40 | --- | | | | | | |
| T3216 85 45 | --- | | | | | | |
| T3216 85 50 | --- | | | | | | |
| T3216 85 60 | --- | 1 | 22x3x238 | 85 | | 1 | 20 |
| T3216 85 70 | --- | | | | | | |
| T3216 85 80 | --- | | | | | | |

| Finitura Finishing | Finiture Standard Standard Finishings | | | | Finiture Speciali Special Finishings | | | |
|--------------------|-----------------------------------------|----|-------------|------------|----------------------------------------|--------|---------|--------------|
| | OLV | OS | OCL OCS ONS | OB OGR OGM | PLO | AB SFE | OBL OBS | PVD XSO INOX |
| --- | | | | | | | | |

Serie **3200**



Serrature da infilare a cilindro | Scatola Chiusa
Mortice locks for profile cylinder | Closed lock case

3202-3207

Catenaccio Antistrappo
 Rullo registrabile
 1-2 Mandate
 Azionamento a cilindro

FINITURA DI SERIE

- Piastra frontale, Catenaccio, Rullo OLV

DOTAZIONE

- Contropiastra con aletta Art. 357R OLV
- Vaschetta coprifresata scrocco e catenaccio Art. C371
- Viti di fissaggio
- CILINDRO ESCLUSO

Tamper proof bolt
 Adjustable roller
 1-2 Turns
 Cylinder movement

STANDARD FINISHINGS

- Front plate, Bolt, Roller OLV

ACCESSORIES

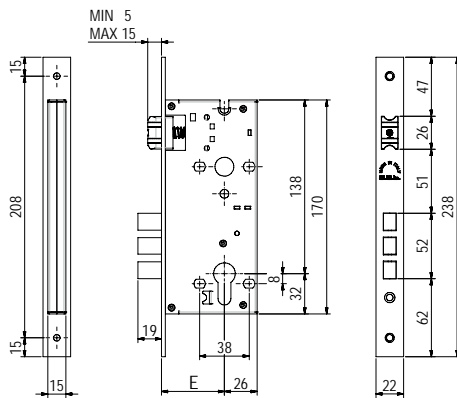
- Striking plate with tab Art. 357R OLV
- Plastic bolt and latch milling cover Art. C371
- Fixing screws
- CYLINDER NOT INCLUDED



Serie **3200**



Serrature da infilare a cilindro | Scatola Chiusa
 Mortice locks for profile cylinder | Closed lock case



3202 Catenaccio Antistrappo | Rullo registrabile | 1-2 Mandate | Azionamento a cilindro
3207 Tamper proof bolt | Adjustable roller | 1-2 Turns | Cylinder movement

| Codice Code | Finitura Finishing | | | | | | |
|----------------|-----------------------|---|----------|--|--|----|---|
| 03202 45 ___ 7 | --- | | | | | 45 | |
| 03202 50 ___ 7 | --- | | | | | 50 | |
| 03202 60 ___ 7 | --- | 2 | | | | 60 | |
| 03202 70 ___ 7 | --- | | | | | 70 | |
| 03202 80 ___ 7 | --- | | 22x3x238 | | | 80 | 1 |
| 03207 45 ___ 7 | --- | | | | | 45 | |
| 03207 50 ___ 7 | --- | | | | | 50 | |
| 03207 60 ___ 7 | --- | 1 | | | | 60 | |
| 03207 70 ___ 7 | --- | | | | | 70 | |
| 03207 80 ___ 7 | --- | | | | | 80 | |

Finiture Standard | Standard Finishings

Finiture Speciali | Special Finishings

| Finitura Finishing | OLV | OS | OCL OCS ONS | OB OGR OGM | PLO | AB SFE | OBL OBS | PVD | XSO INOX |
|-----------------------|-----|----|-------------------|------------------|-----|-----------|------------|-----|-------------|
| --- | | | | | | | | | |

T3202-T3207

Catenaccio Antistrappo
Rullo registrabile
1-2 Mandate
Azionamento a cilindro
Bordo Tondo

Tamper proof bolt
Adjustable roller
1-2 Turns
Cylinder movement
Round Edge

FINITURA DI SERIE

- Piastra frontale, Catenaccio, Rullo OLV

STANDARD FINISHINGS

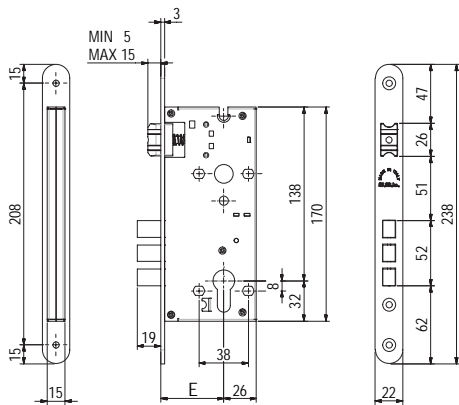
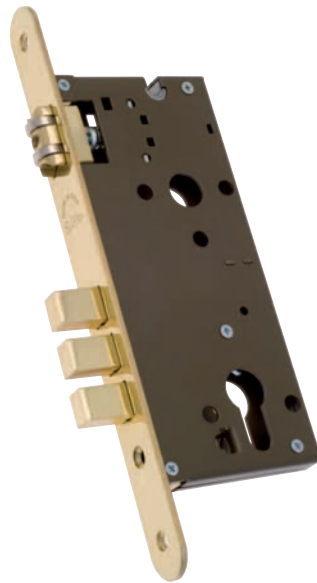
- Front plate, Bolt, Roller OLV

DOTAZIONE

- Contropiastra con aletta Art. 357RT OLV
- Vaschetta coprifresata scrocco e catenaccio Art. C371
- Viti di fissaggio
- CILINDRO ESCLUSO

ACCESSORIES

- Striking plate with tab Art. 357RT OLV
- Plastic bolt and latch milling cover Art. C371
- Fixing screws
- CYLINDER NOT INCLUDED



T3202
T3207

Catenaccio Antistrappo | Rullo registrabile | 1-2 Mandate | Azionamento a cilindro | Bordo Tondo

Tamper proof bolt | Adjustable roller | 1-2 Turns | Cylinder movement | Round Edge

| Codice Code | Finitura Finishing | | | | | |
|----------------|-----------------------|---|----------|--|--|----|
| T3202 45 ___ 7 | --- | | | | | 45 |
| T3202 50 ___ 7 | --- | | | | | 50 |
| T3202 60 ___ 7 | --- | 2 | | | | 60 |
| T3202 70 ___ 7 | --- | | | | | 70 |
| T3202 80 ___ 7 | --- | | | | | 80 |
| T3207 45 ___ 7 | --- | | 22x3x238 | | | 45 |
| T3207 50 ___ 7 | --- | | | | | 50 |
| T3207 60 ___ 7 | --- | 1 | | | | 60 |
| T3207 70 ___ 7 | --- | | | | | 70 |
| T3207 80 ___ 7 | --- | | | | | 80 |

| Finitura Finishing | Finiture Standard Standard Finishings | | | | Finiture Speciali Special Finishings | | | | |
|-----------------------|-----------------------------------------|----|-------------------|------------------|----------------------------------------|-----------|------------|-----|-------------|
| | OLV | OS | OCL OCS ONS | OB OGR OGM | PLO | AB SFE | OBL OBS | PVD | XSO INOX |
| --- | | | | | | | | | |

Serie
3200



Serrature da infilare a cilindro | Scatola Chiusa
Mortice locks for profile cylinder | Closed lock case

3212-3217

Catenaccio
Rullo registrabile
1-2 Mandate
Azionamento a cilindro

Bolt
Adjustable roller
1-2 Turns
Cylinder movement

FINITURA DI SERIE

- Piastra frontale, Catenaccio, Rullo OLV

STANDARD FINISHINGS

- Front plate, Bolt, Roller OLV

DOTAZIONE

- Contropiastra con aletta Art. 357R OLV
- Vaschetta coprifresata scrocco e catenaccio Art. C371
- Viti di fissaggio
- CILINDRO ESCLUSO

ACCESSORIES

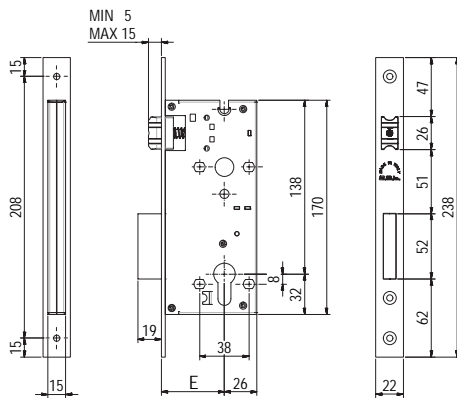
- Striking plate with tab Art. 357R OLV
- Plastic bolt and latch milling cover Art. C371
- Fixing screws
- CYLINDER NOT INCLUDED



Serie **3200**



Serrature da infilare a cilindro | Scatola Chiusa
Mortice locks for profile cylinder | Closed lock case



3212 Catenaccio | Rullo registrabile | 1-2 Mandate | Azionamento a cilindro
3217 Bolt | Adjustable roller | 1-2 Turns | Cylinder movement

| Codice Code | Finitura Finishing | | | | | |
|----------------|-----------------------|---|----------|--|--|----|
| 03212 40 ___ 7 | --- | | | | | |
| 03212 45 ___ 7 | --- | | | | | |
| 03212 50 ___ 7 | --- | 2 | | | | |
| 03212 60 ___ 7 | --- | | | | | |
| 03212 70 ___ 7 | --- | | | | | |
| 03212 80 ___ 7 | --- | | 22x3x238 | | | |
| 03217 40 ___ 7 | --- | | | | | 1 |
| 03217 45 ___ 7 | --- | | | | | |
| 03217 50 ___ 7 | --- | 1 | | | | |
| 03217 60 ___ 7 | --- | | | | | |
| 03217 70 ___ 7 | --- | | | | | |
| 03217 80 ___ 7 | --- | | | | | 20 |

Finiture Standard | Standard Finishings

Finiture Speciali | Special Finishings

| Finitura Finishing | OLV | OS | OC OCS ONS | OB OGR OGM | PLO | AB SFE | OBL OBS | PVD | XSO INOX |
|-----------------------|-----|----|------------------|------------------|-----|-----------|------------|-----|-------------|
| --- | | | | | | | | | |

T3212-T3217

Catenaccio
 Rullo registrabile
 1-2 Mandate
 Azionamento a cilindro
 Bordo Tondo

FINITURA DI SERIE

- Piastra frontale, Catenaccio, Rullo OLV

DOTAZIONE

- Contropiastra con aletta Art. 357RT OLV
 - Vaschetta coprifresata scrocco e catenaccio Art. C371
 - Viti di fissaggio
 - CILINDRO ESCLUSO

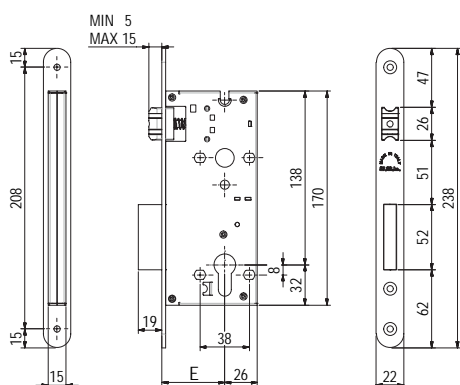
Bolt
 Adjustable roller
 1-2 Turns
 Cylinder movement
 Round Edge

STANDARD FINISHINGS

- Front plate, Bolt, Roller OLV

ACCESSORIES

- Striking plate with tab Art. 357RT OLV
 - Plastic bolt and latch milling cover Art. C371
 - Fixing screws
 - CYLINDER NOT INCLUDED



T3212 Catenaccio | Rullo registrabile | 1-2 Mandate | Azionamento a cilindro | Bordo Tondo
T3217 Bolt | Adjustable roller | 1-2 Turns | Cylinder movement | Round Edge

| Codice Code | Finitura Finishing | | | | | |
|----------------|-----------------------|---|----------|--|--|--|
| T3212 40 ___ 7 | --- | | | | | |
| T3212 45 ___ 7 | --- | | | | | |
| T3212 50 ___ 7 | --- | | | | | |
| T3212 60 ___ 7 | --- | 2 | | | | |
| T3212 70 ___ 7 | --- | | | | | |
| T3212 80 ___ 7 | --- | | | | | |
| T3217 40 ___ 7 | --- | | 22x3x238 | | | |
| T3217 45 ___ 7 | --- | | | | | |
| T3217 50 ___ 7 | --- | | | | | |
| T3217 60 ___ 7 | --- | 1 | | | | |
| T3217 70 ___ 7 | --- | | | | | |
| T3217 80 ___ 7 | --- | | | | | |

| Finitura Finishing | Finiture Standard Standard Finishings | | | | Finiture Speciali Special Finishings | | | | |
|-----------------------|-----------------------------------------|----|-------------------|------------------|----------------------------------------|-----------|------------|-----|-------------|
| | OLV | OS | OCL OCS ONS | OB OGR OGM | PLO | AB SFE | OBL OBS | PVD | XSO INOX |
| --- | | | | | | | | | |

Serie
3200



Serrature da infilare a cilindro | Scatola Chiusa
 Mortice locks for profile cylinder | Closed lock case