

## Functional characteristics

The No-Ha<sup>®</sup>2.0 is a real innovation which is why it was patented. The system integrates door handle and magnetic lock in one box. No-Ha<sup>®</sup>2.0 enables doors to be opened and shut without a visible door handle.

The handle can be completely hidden by giving the catch the same finish as the door and walls.

No-Ha<sup>®</sup>2.0 is part of the No-Ha collection, which includes the No-Ha Slide for sliding doors, No-Ha for drawers, cupboards and other accessories such as plates, wc handles (possible with No-Ha Nm 937)

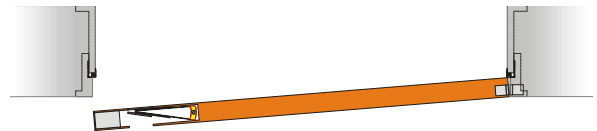
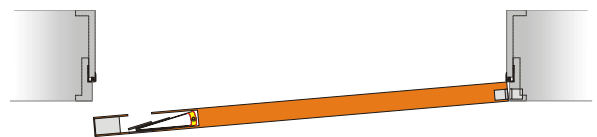
[www.no-ha.com](http://www.no-ha.com)



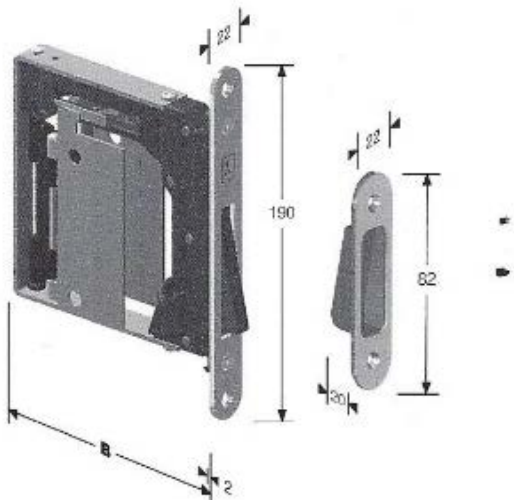
### No-Ha 2.0 mini

### /S0/..

Standard - Satin Chrome	Nm 938/S0/SC
Polished Chrome	Nm 938/S0/PC
Polished Brass	Nm 938/S0/PB



### Nm 938/S5/..



### No-Ha 2.0 mini

### /S5/..

Standard - Satin Chrome	Nm 938/S5/SC
Polished Chrome	Nm 938/S5/PC
Polished Brass	Nm 938/S5/PB