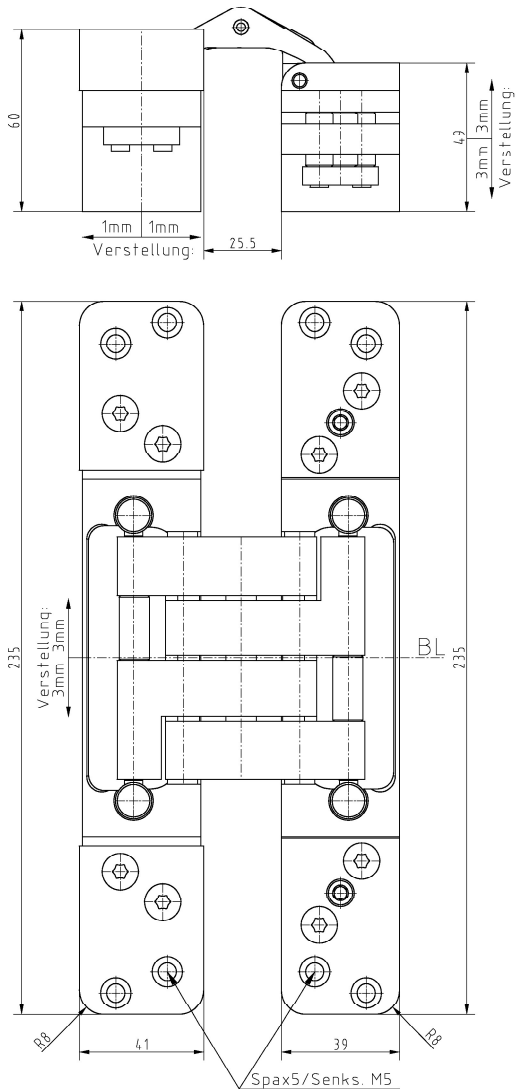
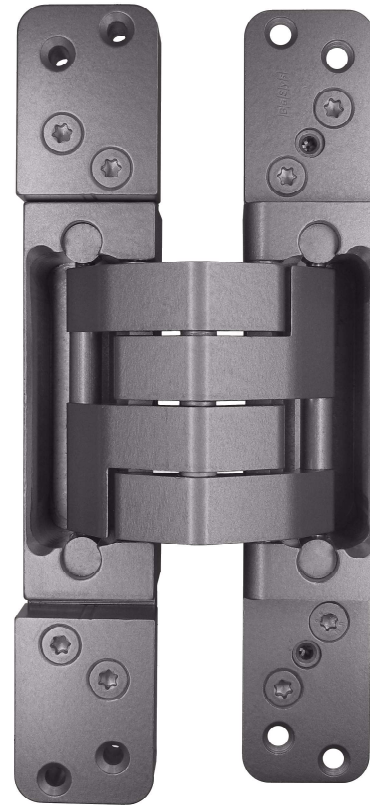


PIVOTA® FX1 150 3-D "WO"

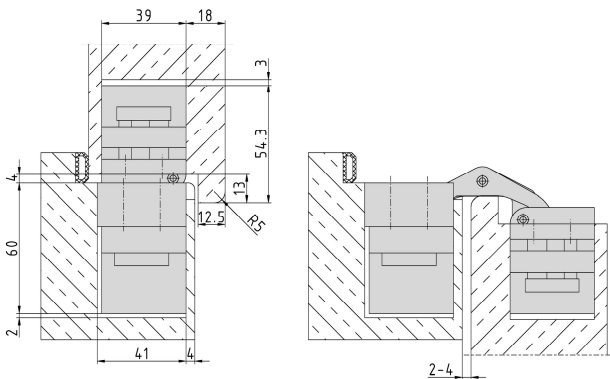


Section drawing



Additional Information

- Standard load:** Maximum door weight 160 kg (per pair)
- Application:** Concealed hinge for rebated doors, hinge leaves are mortised into frame and door; 3-dimensional adjustability, maintenance-free bearings
- Accessories:** Safety plate for frame part, retainer for casing or steel frames
- Advice:** Minimum door thickness: 68 mm



item no.	Finish	PU
039835	satin nickel plated	1
040626	Alu Look F1	1