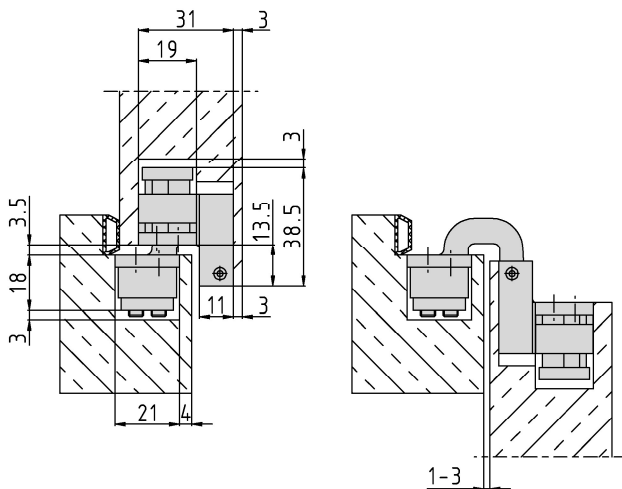


Section drawing



Additional Information

- Standard load: Maximum door weight 80 kg (per pair)
 Application: Concealed hinge for rebated doors, hinge leaves are mortised into frame and door; 3-dimensional adjustability, maintenance-free bearings;
 Accessories: Safety plate for frame part, retainer for casing or steel frames
 Note: also available in "Design"-option

Certified according to



item no.	Finish	PU
039890	satin nickel plated	2
040543	Sim. Stainless Steel	2
040627	Alu Look F1	2