

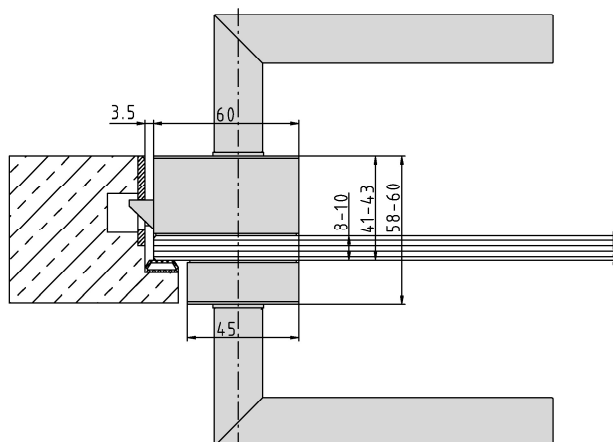
**Additional Information**

Application: for glass doors in non-rebated frames, suitable for 8-10 mm glass thickness (ESG)

Note: incl. fixing screws, mortise lock, profile cylinder and door handle

Combination: DX 80 3-D "Glass" retainer, DX 60/100 "Glass" retainer

**Section drawing**



item no.	Finish	PU
040857	without finish	1
040882	without finish	1