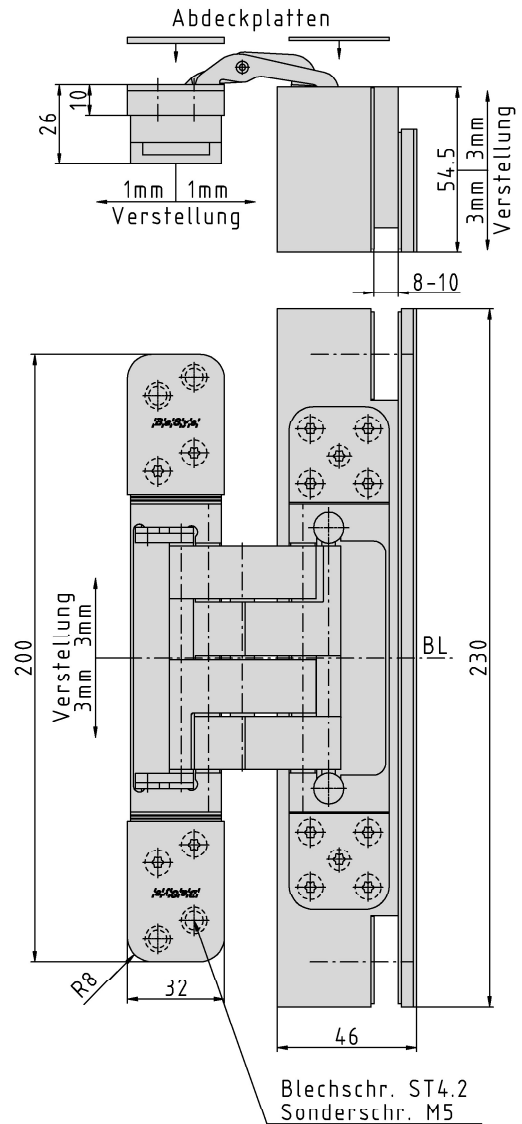


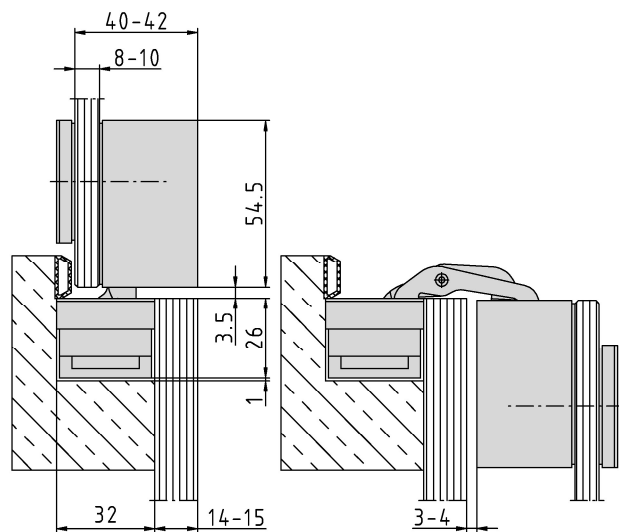
Retainer for DX 80 3-D "Glass"



Additional Information

Standard load: Maximum door weight 80 kg (per pair)
 Application: Glass doors, retainer provides connection of the concealed hinge to the leaf
 Note: incl. fixing screws
 Combination: PIVOTA® DX 80 3-D CP "ZA"

Section drawing



item no.	Finish	PU
040756	without finish	4
040894	without finish	4