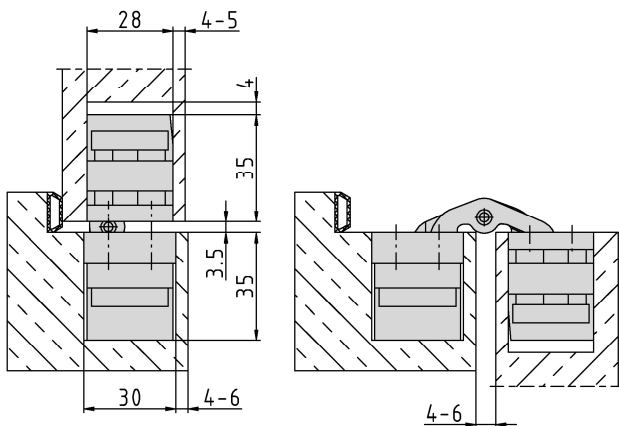


Section drawing



Additional Information

- Standard load: Maximum door weight 300 kg (per pair)
- Application: Concealed hinge for non-rebated doors, hinge leaves are mortised into frame and door; 3-dimensional adjustability, maintenance-free bearings; suitable for fire resistant doors; option: burglary protection (RC2)
- Accessories: PIVOTA® DX safety plate for frame part, retainer for casing or steel frames
- Note: also available in "Design"-option

Certified according to



item no.	Finish	PU
037918	satin nickel plated	1
039080	Alu Look F1	1
040590	Sim. Stainless Steel	1