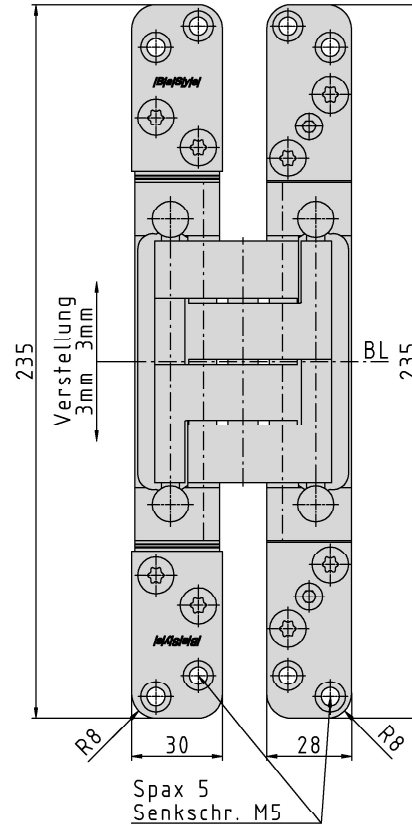
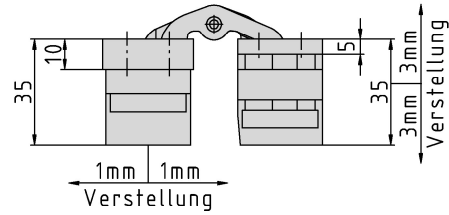


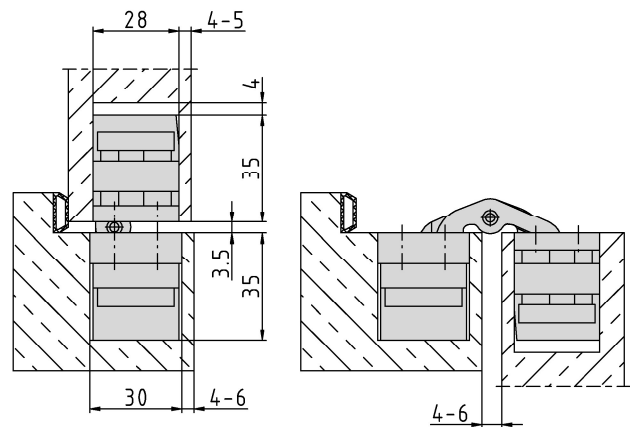
PIVOTA® DXS 200 3-D "Steel"



Additional Information

- Standard load: Maximum door weight 250 kg (per pair)
 Application: Concealed hinge for non-rebated doors, hinge leaves are mortised into frame and door; 3-dimensional adjustability, maintenance-free bearings; suitable for fire resistant doors; solid steel joints for high stress
 Accessories: PIVOTA® DX safety plate for frame part, retainer for casing or steel frames

Section drawing



Certified according to



item no.	Finish	PU
040064	satin nickel plated	1
040750	Sim. Stainless Steel	1
040998	Alu Look F1	1