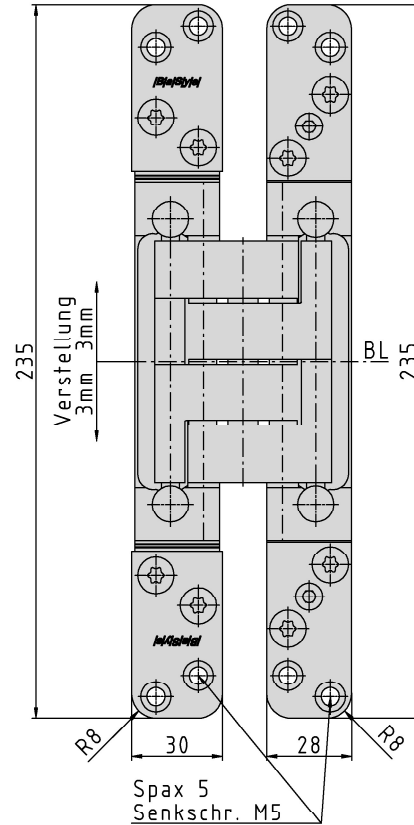
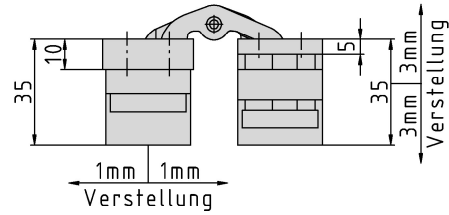


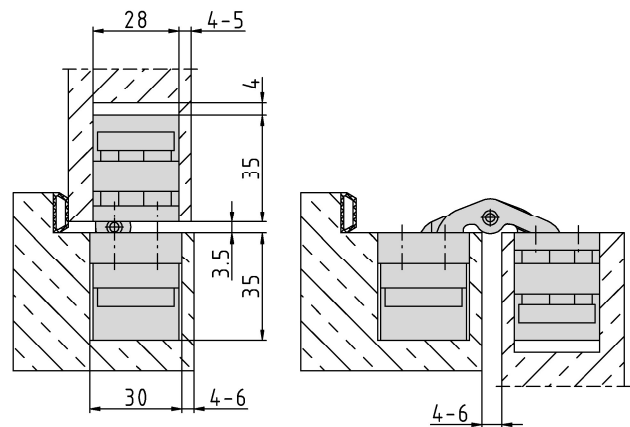
PIVOTA® DXA 200 3-D "Alu"



Additional Information

- Standard load: Maximum door weight 180 kg (per pair)
 Application: Concealed hinge for non-rebated doors, hinge leaves are mortised into frame and door; 3-dimensional adjustability, maintenance-free bearings
 Accessories: PIVOTA® DX safety plate for frame part, retainer for casing or steel frames
 Note: also available in "Design"-option

Section drawing



Certified according to



item no.	Finish	PU
039871	satin nickel plated	1
039928	Alu Look F1	1
040751	Sim. Stainless Steel	1