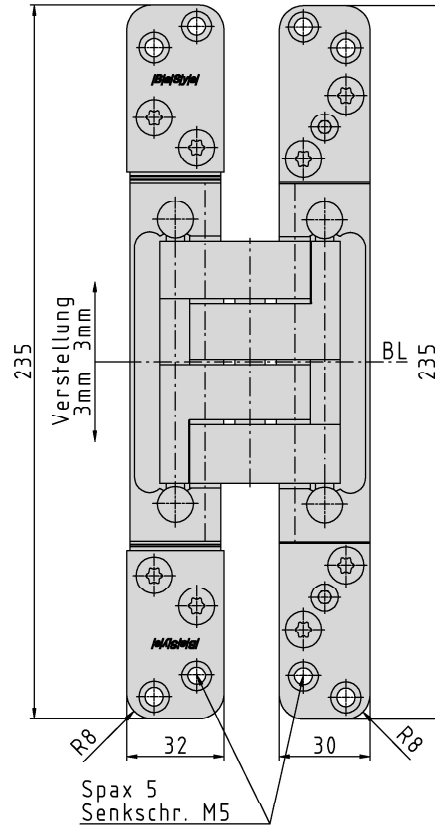
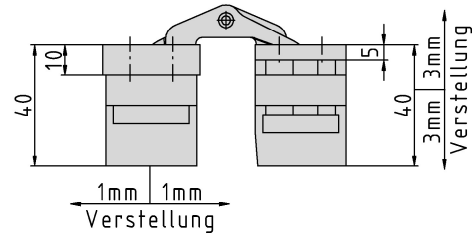


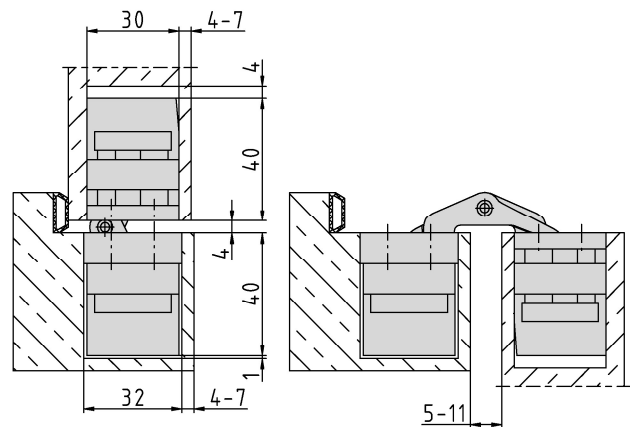
PIVOTA® DX 190 3-D



Additional Information

- Standard load:** Maximum door weight 200 kg (per pair)
- Application:** Concealed hinge for non-rebated doors, hinge leaves are mortised into frame and door; 3-dimensional adjustability, maintenance-free bearings; larger lay out of pivot compared to the PIVOTA® DX 200 3-D
- Accessories:** PIVOTA® DX safety plate for frame part, retainer for casing or steel frames

Section drawing



Certified according to



item no.	Finish	PU
039430	satin nickel plated	1
040619	Alu Look F1	1