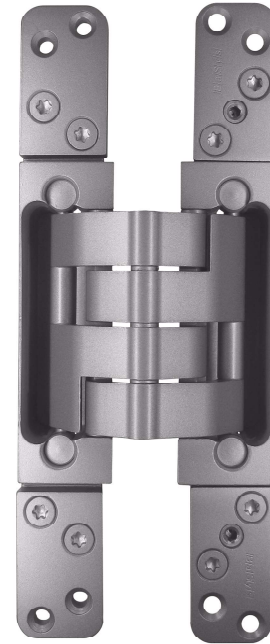
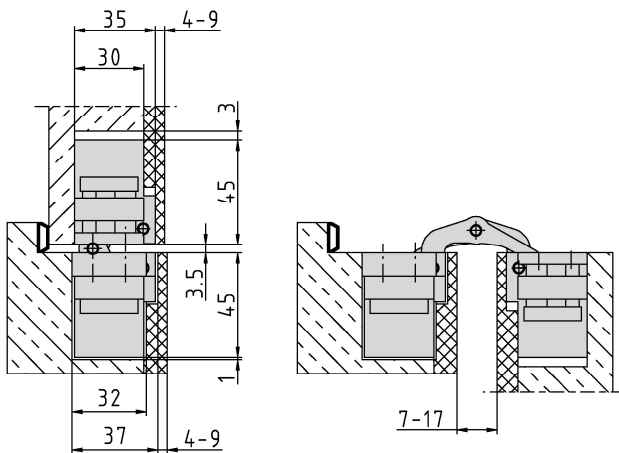


Section drawing



Additional Information

- Standard load: Maximum door weight 200 kg (per pair)
 Application: Concealed hinge for non-rebated doors, hinge leaves are mortised into frame and door; 3-dimensional adjustability, maintenance-free bearings; suitable for claddings
 Accessories: PIVOTA® DX safety plate for frame part, retainer for casing or steel frames

Certified according to



item no.	Finish	PU
040593	satin nickel plated	1
040687	Alu Look F1	1