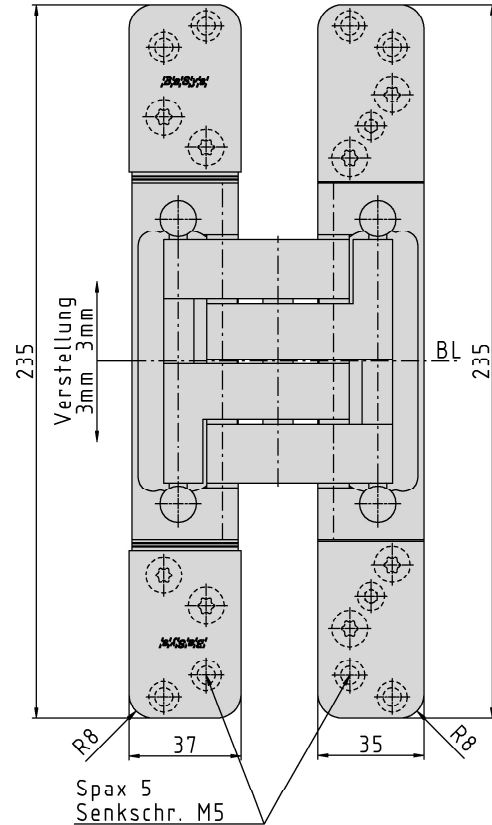
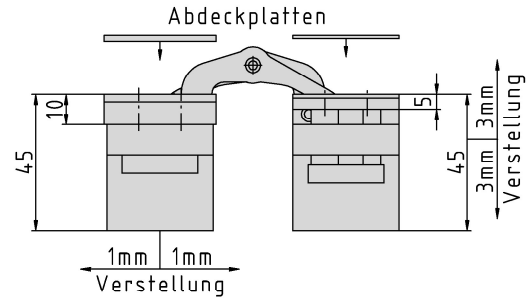


## PIVOTA® DX 120 3-D "Design"



**Section drawing**

### Additional Information

- Standard load:** Maximum door weight 160 kg (per pair)  
**Application:** Concealed hinge for non-rebated doors, hinge leaves are mortised into frame and door; 3-dimensional adjustability, maintenance-free bearings; suitable for claddings; magnetically fixed cover plates for optics free-of-screws  
**Accessories:** PIVOTA® DX safety plate for frame part, retainer for casing or steel frames

Certified according to



item no.	Finish	PU
039735	satın nickel plated	1
040606	Sim. Stainless Steel	1
040945	Alu Look F1	1

