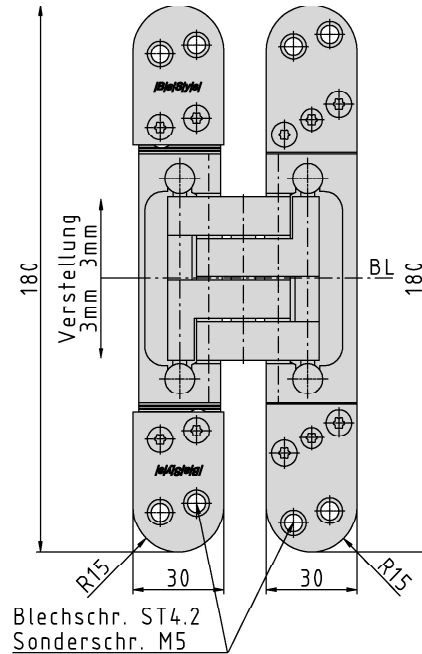
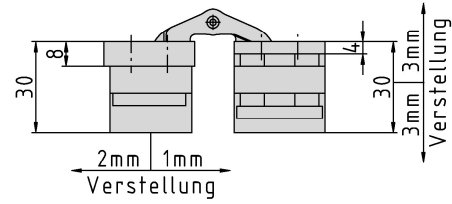


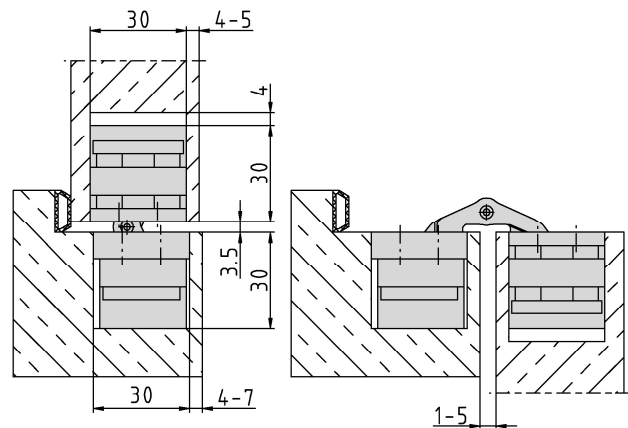
PIVOTA® DXS 101 3-D "Steel"



Additional Information

- Standard load: Maximum door weight 160 kg (per pair)
 Application: Concealed hinge for non-rebated doors, hinge leaves are mortised into frame and door; 3-dimensional adjustability, maintenance-free bearings; suitable for fire resistant doors; option: burglary protection (RC2); solid steel joints for high stress
 Accessories: PIVOTA® DX safety plate for frame part, retainer for casing or steel frames
 Note: incl. fixing screws
 Certified according to

Section drawing



item no.	Finish	PU
040384	satın nickel plated	2