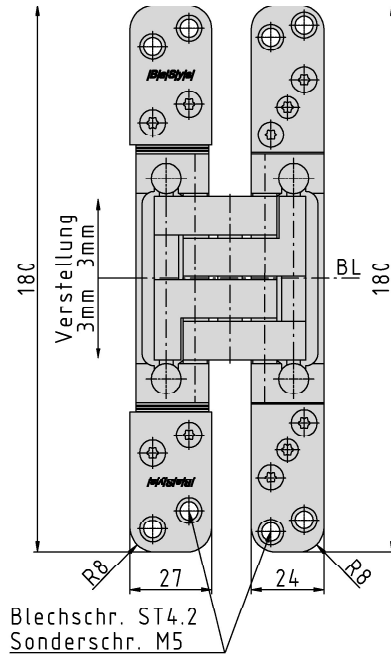
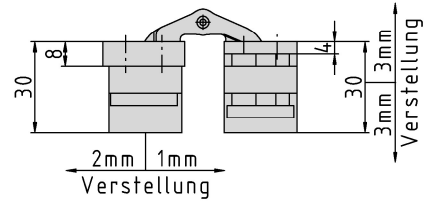


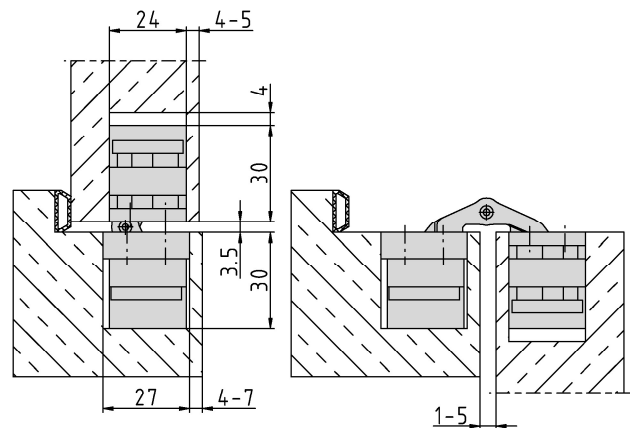
PIVOTA® DX 100 3-D



Additional Information

- Standard load:** Maximum door weight 120 kg (per pair)
- Application:** Concealed hinge for non-rebated doors, hinge leaves are mortised into frame and door; 3-dimensional adjustability, maintenance-free bearings; suitable for fire resistant doors
- Accessories:** PIVOTA® DX safety plate for frame part, retainer for casing or steel frames
- Note:** incl. fixing screws

Section drawing



Certified according to



item no.	Finish	PU
037939	satın nickel plated	2
039180	Alu Look F1	2
040686	Sim. Stainless Steel	2