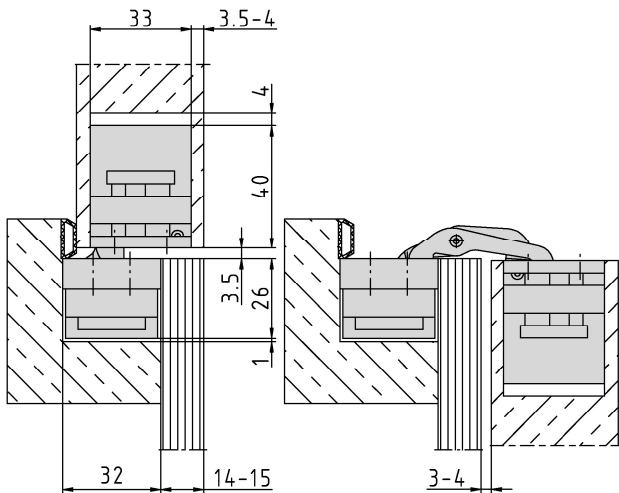


**Section drawing**



**Additional Information**

Standard load: Maximum door weight 80 kg (per pair)

Application: Concealed hinge for non-rebated doors with offset frame design, hinge leaves are mortised into frame and door; 3-dimensional adjustability, maintenance-free bearings;

Accessories: PIVOTA® DX safety plate for frame part, retainer for casing or steel frames

Note: incl. fixing screws; also available in "Design"-option

item no.	Finish	PU
040278	satin nickel plated	1
040552	Sim. Stainless Steel	1
040867	Alu Look F1	1