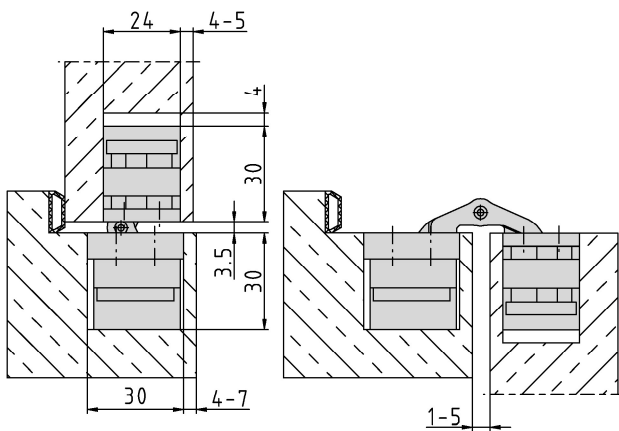


Section drawing



Additional Information

- Standard load: Maximum door weight 100 kg (per pair)
 Application: Concealed hinge for non-rebated doors, hinge leaves are mortised into frame and door; 3-dimensional adjustability, maintenance-free bearings; frame part provided with screen
 Accessories: PIVOTA® DX safety plate for frame part, retainer for casing or steel frames
 Note: incl. fixing screws; also available in "Design"-option

Certified according to



item no.	Finish	PU
037945	satin nickel plated	2
040625	Alu Look F1	2
040826	Sim. Stainless Steel	2