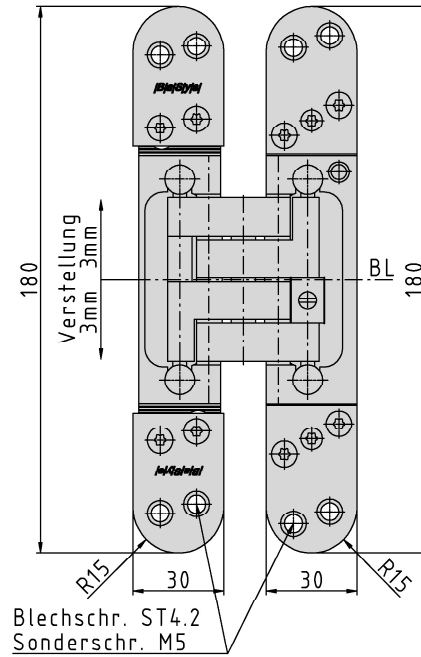
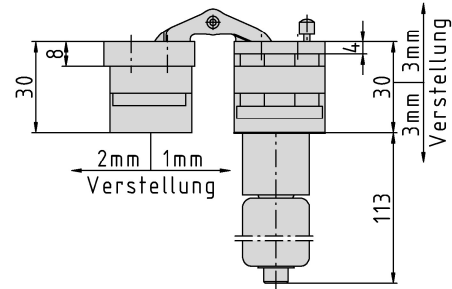


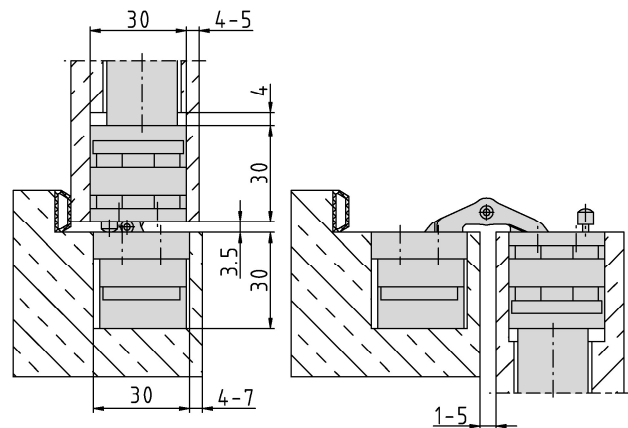
## PIVOTA® DXS 61 3-D "Close"



### Additional Information

- Standard load:** Maximum door weight 80 kg (per pair)
- Application:** Concealed hinge for non-rebated doors, hinge leaves are mortised into frame and door; 3-dimensional adjustability, maintenance-free bearings; hinge is equipped with a concealed self-closing mechanism
- Accessories:** PIVOTA® DX safety plate for frame part, retainer for casing or steel frames
- Note:** incl. fixing screws

### Section drawing



item no.	Finish	PU
040806	satın nickel plated	1
040807	Alu Look F1	1
040808	Sim. Stainless Steel	1