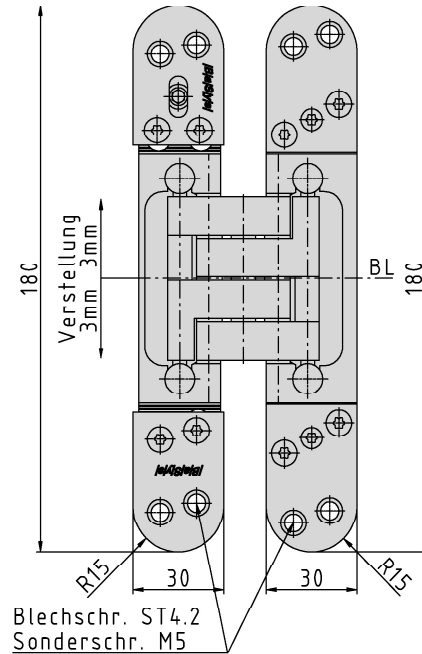
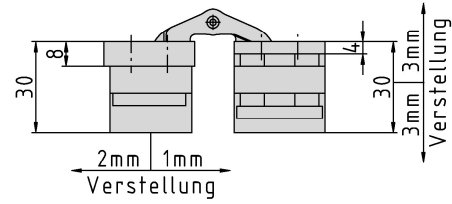


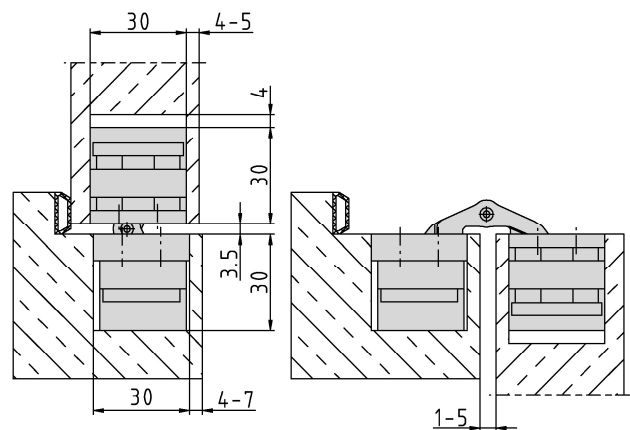
PIVOTA® DX 61 3-D "IHA"



Additional Information

- Standard load:** Maximum door weight 100 kg (per pair)
- Application:** Concealed hinge for non-rebated doors, hinge leaves are mortised into frame and door; 3-dimensional adjustability, maintenance-free bearings; integrated height adjustment ("IHA")
- Accessories:** PIVOTA® DX safety plate for frame part, retainer for casing or steel frames
- Note:** incl. fixing screws

Section drawing



Certified according to



item no.	Finish	PU
039479	satın nickel plated	2
039828	Alu Look F1	2