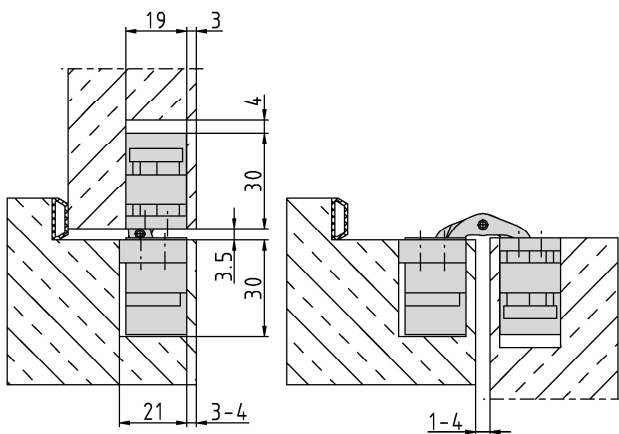


**Section drawing**



**Additional Information**

Standard load: Maximum door weight 80 kg (per pair)

Application: Concealed hinge for non-rebated doors, hinge leaves are mortised into frame and door; 3-dimensional adjustability, maintenance-free bearings

Accessories: PIVOTA® DX safety plate for frame part, retainer for casing or steel frames

Note: incl. fixing screws; also available in "Design"-option

item no.	Finish	PU
037869	satin nickel plated	2
040623	Alu Look F1	2
040811	Sim. Stainless Steel	2