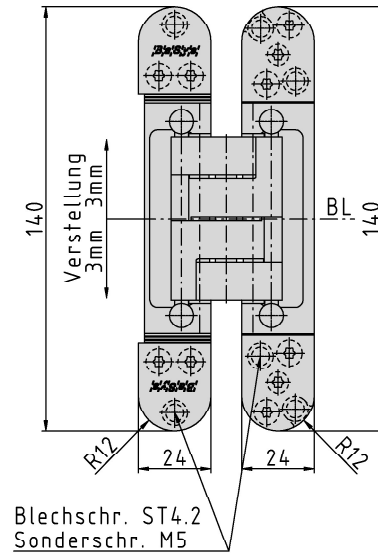
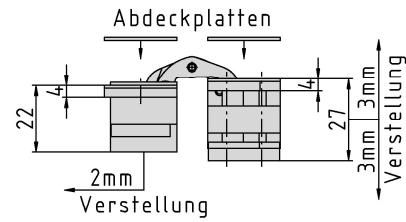


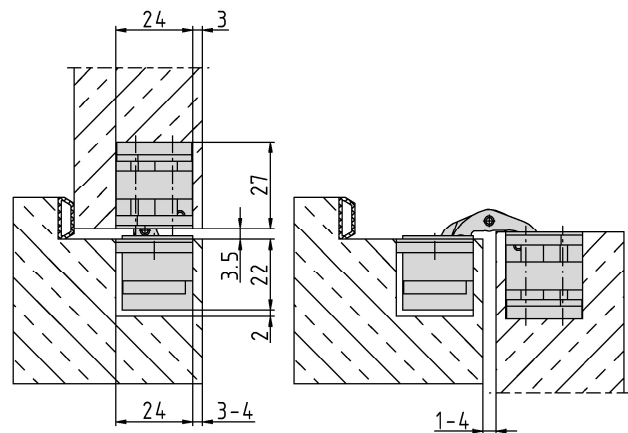
PIVOTA® DX 38 3-D CP "Design"



Additional Information

- Standard load:** Maximum door weight 60 kg (per pair)
- Application:** Concealed hinge for non-rebated doors, hinge leaves are mortised into frame and door; 3-dimensional adjustability, maintenance-free bearings; magnetically fixed cover plates for optics free-of-screws
- Accessories:** PIVOTA® DX safety plate for frame part, retainer for casing or steel frames
- Note:** incl. fixing screws

Section drawing



item no.	Finish	PU
039929	satin nickel plated	2
040605	Sim. Stainless Steel	2