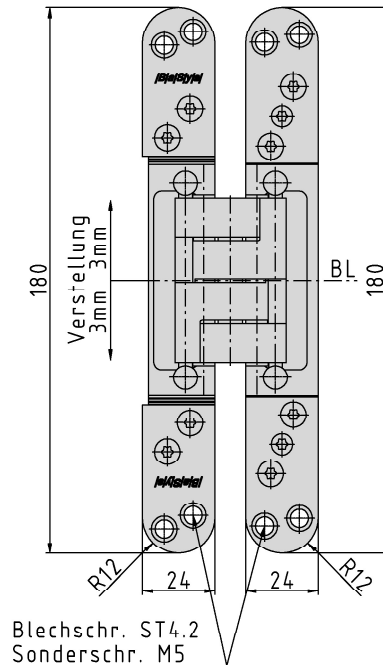
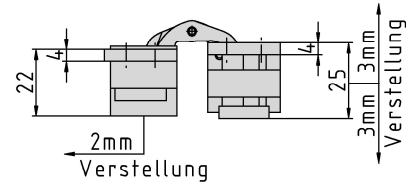


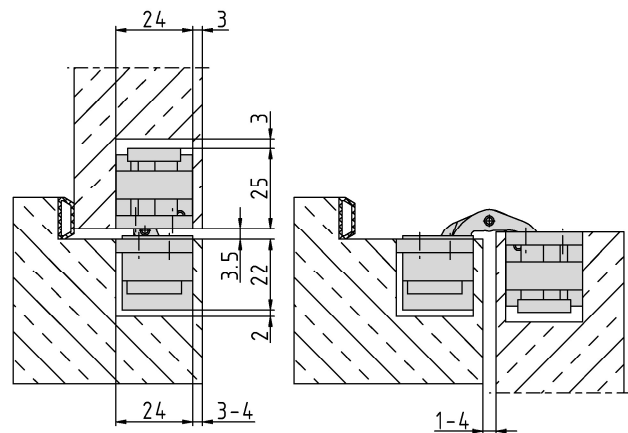
PIVOTA® DX 38 3-D



Additional Information

- Standard load:** Maximum door weight 60 kg (per pair)
- Application:** Concealed hinge for non-rebated doors, hinge leaves are mortised into frame and door; 3-dimensional adjustability, maintenance-free bearings
- Accessories:** PIVOTA® safety plate for frame part, retainer for casing or steel frames
- Note:** incl. fixing screws

Section drawing



item no.	Finish	PU
039072	satın nickel plated	2
039544	Alu Look F1	2
040847	Sim. Stainless Steel	2