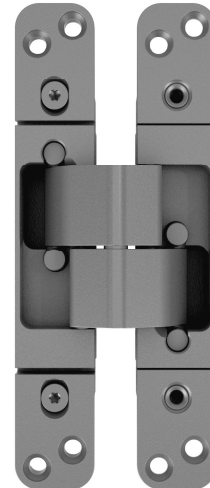
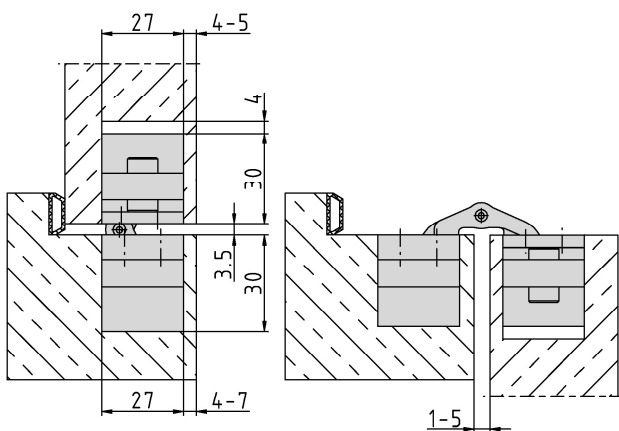


Spanplattenschraube $\varnothing 4.5$
Senkschraube ISO 14581 - M5



Section drawing



Additional Information

Standard load: Maximum door weight 40 kg (per pair)
Application: Concealed hinge for non-rebated doors, hinge leaves are mortised into frame and door; 2-dimensional adjustability, maintenance-free bearings
Accessories: PIVOTA® DX safety plate for frame part
Note: incl. fixing screws

item no.	Finish	PU
040996	satın nickel plated	2